

## ActiveCount's Remote Impactor Series – a premier range of modular active air samplers designed with a focus on portable and remote applications.

These samplers stand out with their autoclavable, modular design that streamlines your decontamination processes. When viable sampling is part of your day-to-day, you need tools that adapt. The Remote Impactor Kit is modular, scalable, and ready to meet your needs.

Compatible with ActiveCount models AC100H and AC25H - or your in-house vacuum system, these samplers come equipped with dual sealing technology to prevent leaks, and offer flexible bottom or side mounting options. Whether you're sampling with petri plates or Rapid Micro Bio (RMB) cassettes, this system molds to your process.

### Features

- Modular, Autoclavable Design
- Options for Portable and Remote
- 'Grab-and-Go' Viable Sampling
- Flow Rates for Multiple Applications
- Compatible w/ ActiveCount25H and ActiveCount100H
- Versatile Mounting Options
- Single-Hand Operation
- 2 Year Warranty

Impactor Head



Magnetic Petri Plate

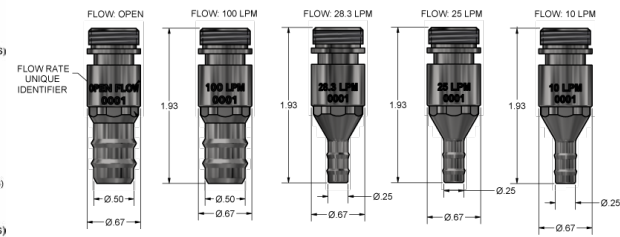
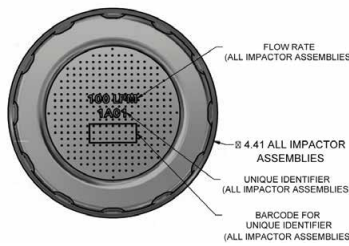
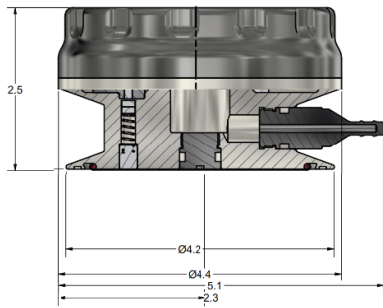


Impactor Base



# ActiveCount

REMOTE IMPACTOR SERIES



## ActiveCount100H / ActiveCount25H Remote Impactor Kits



### ActiveCount100H Models

Flow Rate

Media Holder

Impactor Head

Part Number

### ActiveCount25H Models

Flow Rate

Media Holder

Impactor Head

Part Number

Weight (ActiveCount Unit)

Weight (Remote Impactor Kit)

Dish Compatibility

Calibration

Material

Operating Environment

AC100H RS	AC100H RMB RS
100 LPM	100 LPM
Magnetic autoclavable <b>petri dish</b> plate	Magnetic autoclavable <b>RMB cassette</b> plate
316L SS with 300 holes, 18ms, d50: 1µm	316L SS with 300 holes, 18ms, d50: 1µm
#402965484-1	#402965484-2
AC25H RS	AC25H RMB RS
25 LPM	25 LPM
Magnetic autoclavable <b>petri dish</b> plate	Magnetic autoclavable <b>RMB cassette</b> plate
316L SS with 88 holes, 18ms, d50: 1µm	316L SS with 88 holes, 18ms, d50: 1µm
#402965484-4	#402965484-5

7 lbs. (3.2kg)

Impactor Base 3.4 lbs. (1.54kg) | Impactor Head 1.1 lbs. (0.5kg)

Compatible with standard 90mm petri dish (85 - 92mm)

ISO 17025 Accredited or NIST Traceable

316L Stainless Steel, silicone o-ring(Autoclavable)

0-90% humidity no condensing, 0-40°C sampling

## House Vacuum System Remote Impactor Kits



Kit Models	RVS 10 LPM	RVS 25 LPM	RVS 25 LPM RMB	RVS 28.3 LPM
Flow Rate	10 LPM	25 LPM	25 LPM	28.3 LPM
Media Holder	Magnetic autoclavable <b>petri dish</b> plate	Magnetic autoclavable <b>petri dish</b> plate	Magnetic autoclavable <b>RMB cassette</b> plate	Magnetic autoclavable <b>petri dish</b> plate
Impactor Head	316L SS with 88 holes, 13ms, d50: 1µm	316L SS with 88 holes, 18ms, d50: 1µm	316L SS with 88 holes, 18ms, d50: 1µm	316L SS with 113 holes, 14ms, d50: 1µm
Part Number	#402965484-6	#402965484-12	#402965484-13	#402965484-3
Kit Models	RVS 28.3 LPM RMB	RVS 100LPM	RVS 100LPM RMB	
Flow Rate	28.3 LPM	100 LPM	100 LPM	
Media Holder	Magnetic autoclavable <b>RMB cassette</b> plate	Magnetic autoclavable <b>petri dish</b> plate	Magnetic autoclavable <b>RMB cassette</b> plate	
Impactor Head	316L SS with 113 holes, 14ms, d50: 1µm	316L SS with 300 holes, 18ms, d50: 1µm	316L SS with 300 holes, 18ms, d50: 1µm	
Part Number	#402965484-11	#402965484-9	#402965484-10	



Scan to Learn More

Distributed by: